



Teardrop Pallet Racking



maxrac 美库®
www.maxrac.com

Company Profile

Shanghai Maxrac Storage Equipment Engineering Co., Ltd. is one of the Chinese leading manufacturers of pallet racking and shelving systems with a long standing reputation for product quality, technical innovation and first class customer service. Maxrac provides various racking systems including shuttle intensive storage system, automation intelligent intergration system, pallet racking, shelving, mezzanine, cantilever and carton live storage for many industries, which is manufacturing, logistics, cold chain, retail, E-commerce ect. Maxrac export at least 1000 containers to more than 60 countries per year. All Maxrac products are designed and manufactured in accordance with standard of European FEM, Australia AS4084:2012 and American RMI.

Foreign Certificate



ISO9001:2008



AS4084: 2012



CE for pallet rack



RMI



CE for radio shuttle



WMS

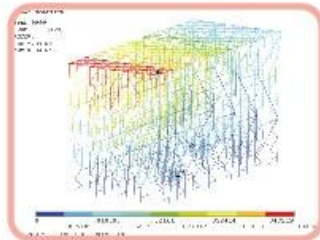
Domestic Certificate



China Green Warehousing And Distribution



High technology expertise



Shanghai Manufacturing Base



R&D Center



Maxrac® Teardrop Pallet Racking is the most economical and efficient way to store pallets or bulk boxes therefore maximizing valuable storage space in your warehouse. As the owner or lessee of a warehouse, you realize that you are paying for every square foot of space and to not maximize that space is a waste of money.

Maxrac® Teardrop rack can be used for a variety of storage applications including selective pallet storage racks, narrow aisle selective, bulk storage, carpet storage, drum storage, cable reel storage, marine boat storage, retail racks, rack supported mezzanines and pick modules.

Maxrac® Teardrop Pallet Racking System is designed & manufactured to RMI (Rack Manufacturers Institute Specifications).



Teardrop Pallet Racking



Drive-in Pallet Racking



Very Narrow Aisle Pallet Racking



Push Back Pallet Racking



Double Deep Pallet Racking



Radio Shuttle System



Pallet Live Storage



Mobile Racking



Heavy-duty Shelving

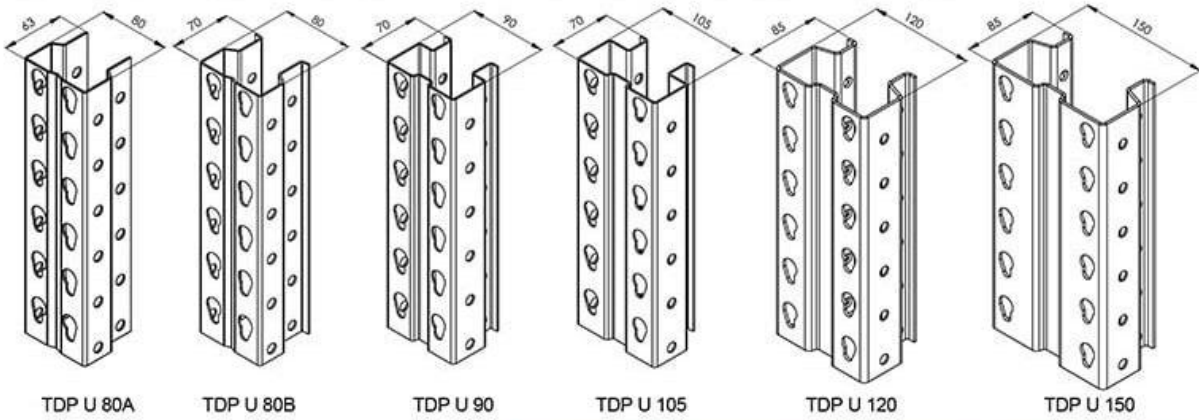
Tops Upright

Maxrac® Teardrop Pallet Racking Uprights are available more than five sizes to cover most loading requirements.



2" / 50.8mm Pitch

Maxrac® Teardrop Pallet Racking Uprights are available more than six sizes to cover most loading requirements.



TDP U 80A

TDP U 80B

TDP U 90

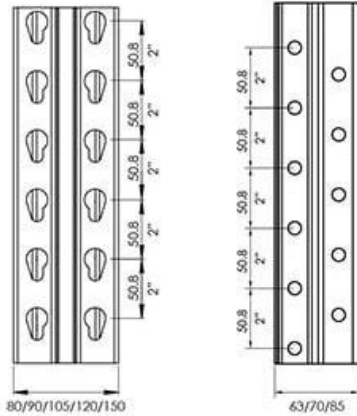
TDP U 105

TDP U 120

TDP U 150

Front View

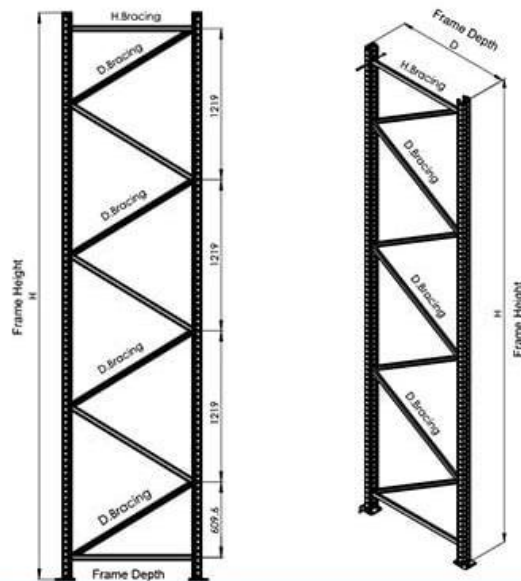
Side View



| Type of upright | Width | Depth | Thickness |
|-----------------|-------|-------|-----------|
| TDP U 80A-18 | 80 | 63 | 1.8 |
| TDP U 80B-18 | 80 | 70 | 1.8 |
| TDP U 90-18 | 90 | 70 | 1.8 |
| TDP U 90-20 | 90 | 70 | 2.0 |
| TDP U 105-18 | 105 | 70 | 1.8 |
| TDP U 105-20 | 105 | 70 | 2.0 |
| TDP U 105-25 | 105 | 70 | 2.5 |
| TDP U 105-275 | 105 | 70 | 2.75 |
| TDP U 120 -18 | 120 | 85 | 1.8 |
| TDP U 120 -20 | 120 | 85 | 2.0 |
| TDP U 120 -25 | 120 | 85 | 2.5 |
| TDP U 120 -275 | 120 | 85 | 2.75 |
| TDP U 120 -30 | 120 | 85 | 3.0 |
| TDP U 150 -20 | 150 | 85 | 2.0 |
| TDP U 150 -25 | 150 | 85 | 2.5 |
| TDP U 150 -275 | 150 | 85 | 2.75 |
| TDP U 150 -30 | 150 | 85 | 3.0 |

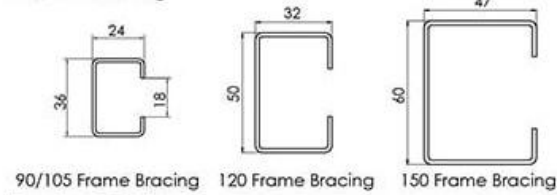
All Units in mm
Upright Height: All Size Available at 2"(50.8mm) Pitch.

Frame

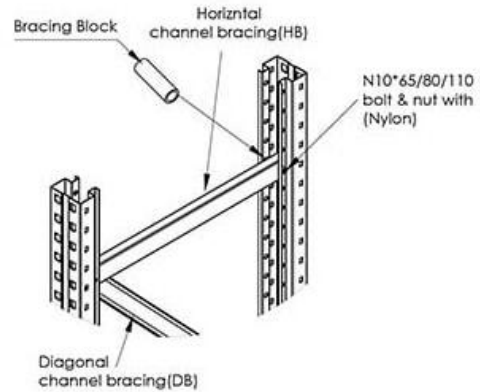
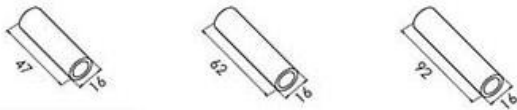


Frame Bracing & Bracing Block

Frame Bracing



Bracing Block



Spacer

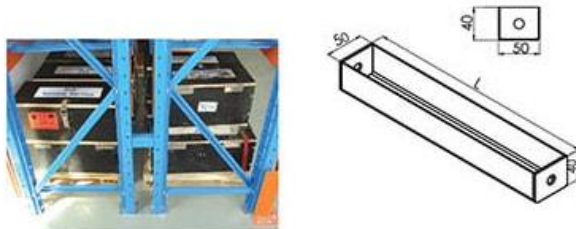
Row Spacer

Use: Row Spacers are fitted between frames of double entry racks to increase front to back rigidity and stability.

Length: As required.

Size: 40×50×1.5mm C Channel with Endplates.

Fixing: Two N10×25mm grade 8.8G setscrews.



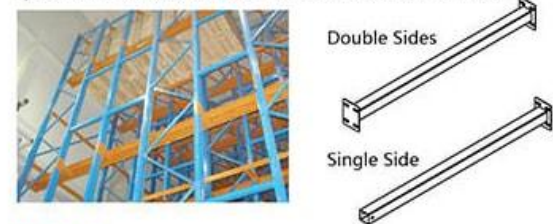
Frame Spacer

Use: Connect frame & frame (Double Sides) or frame & upright (Single Side).

Length: As required.

Size: The body is Rectangle Pipe 50×50 with Endplates.

Fixing: Double Sides, 2pcs M10×16 Bolt & nuts at each end / Single Side, 2pcs M10×16 Bolts & nuts at Endplates, 1pcs N10×65/80/110 Bolt & nuts at the other end.



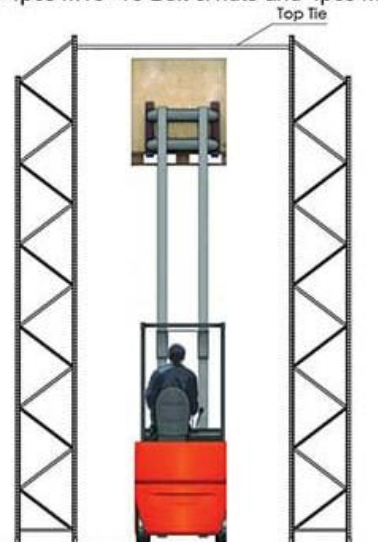
Top Tie

Use: Connect the top of the frames along the aisles to increase the stability of the racks.

Length: As required.

Size: The body is Rectangle Pipe 50×50 with Endplates.

Fixing: 4pcs M10×16 Bolt & nuts and 4pcs M10 washers.



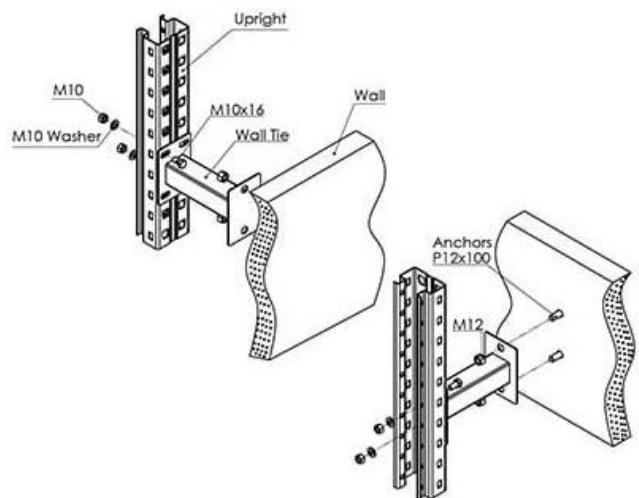
Wall Tie

Use: Connect frame & wall.

Length: As required.

Size: The body is Rectangle Pipe 50×50 with Endplates.

Fixing: 2pcs M10×16 Bolt & nuts, 2pcs M10 washers and 2pcs P12×75 Anchors.



Baseplate & Shim

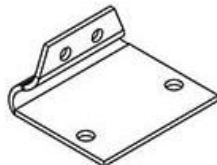
The baseplate must be fitted to every upright to :

- Provide a smooth bearing surface for the upright,
- Spread the load of the upright over a reasonable area of floor,
- Provide a means of fixing the upright to the concrete floor,
- Provide a means of levelling the upright when necessary.

There are five common baseplates in use for different situations.



Teardrop Bolted Baseplate



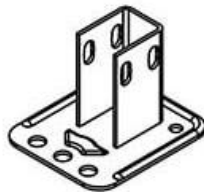
Teardrop Bolted Baseplate



Teardrop Bolted B.P. Shim



Teardrop Reversible Baseplate



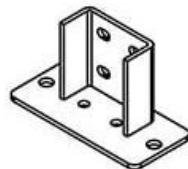
Teardrop Reversible Baseplate



Teardrop Reversible B.P. Shim



Teardrop Heavy-duty Baseplate



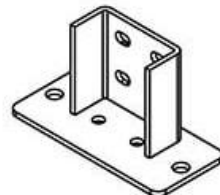
Teardrop Heavy-duty Baseplate



Teardrop Heavy-duty B.P. Shim



Teardrop VNA Baseplate



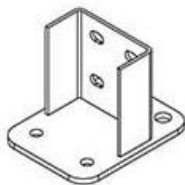
Teardrop VNA Baseplate



Teardrop VNA B.P. Shim



Teardrop Drive-in Baseplate



Teardrop Drive-in Baseplate



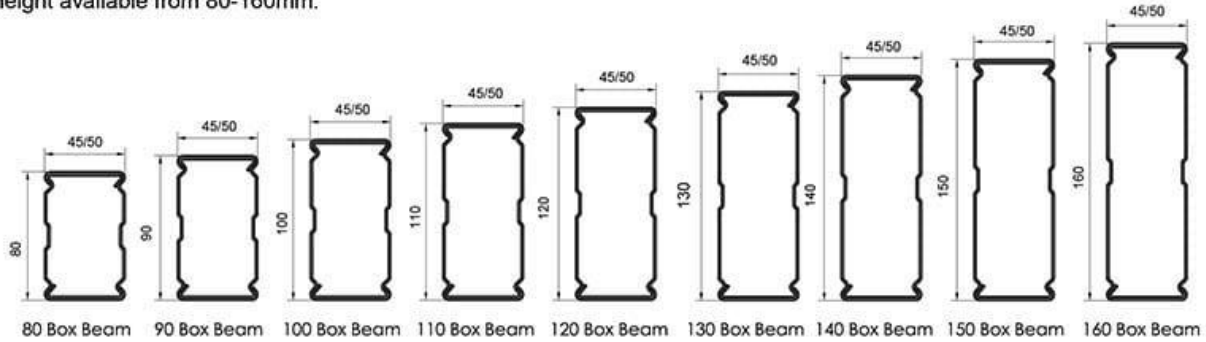
Teardrop Drive-in B.P. Shim



Box Beam

Box Beam

Maxrac® Teardrop Box beams are available in a comprehensive range to cover most loading requirements. Beam section height available from 80-160mm.



| Type of beam | Height | Width | Thickness | Rivets | All units in mm |
|-----------------|--------|-------|-----------|--------|-----------------|
| TDP B 80-45-15 | 80 | 45 | 1.5 | 3 | |
| TDP B 80-50-15 | 80 | 50 | 1.5 | 3 | |
| TDP B 90-45-15 | 90 | 45 | 1.5 | 3 | |
| TDP B 90-50-15 | 90 | 50 | 1.5 | 3 | |
| TDP B 100-45-15 | 100 | 45 | 1.5 | 3/4 | |
| TDP B 100-50-15 | 100 | 50 | 1.5 | 3/4 | |
| TDP B 110-45-15 | 110 | 45 | 1.5 | 4 | |
| TDP B 110-50-15 | 110 | 50 | 1.5 | 4 | |
| TDP B 120-45-15 | 120 | 45 | 1.5 | 4 | |
| TDP B 120-50-15 | 120 | 50 | 1.5 | 4 | |
| TDP B 130-45-15 | 130 | 45 | 1.5 | 4 | |
| TDP B 130-50-15 | 130 | 50 | 1.5 | 4 | |
| TDP B 140-45-15 | 140 | 45 | 1.5 | 4 | |
| TDP B 140-50-15 | 140 | 50 | 1.5 | 4 | |
| TDP B 150-45-15 | 150 | 45 | 1.5 | 4 | |
| TDP B 150-50-15 | 150 | 50 | 1.5 | 4 | |
| TDP B 160-45-15 | 160 | 45 | 1.5 | 4 | |
| TDP B 160-50-15 | 160 | 50 | 1.5 | 4 | |
| TDP B 160-45-18 | 160 | 45 | 1.8 | 4 | |
| TDP B 160-50-18 | 160 | 50 | 1.8 | 4 | |
| TDP B 160-45-20 | 160 | 45 | 2.0 | 4 | |
| TDP B 160-50-20 | 160 | 50 | 2.0 | 4 | |

★ Beam Length: All Size Available



Heavy-duty Step Beam

Heavy-duty Step Beams

Maxrac® Heavy-duty Teardrop Step Beams are made of 14 gauge or 16 gauge tubular steel and include a factory installed auto lock Safety Clip which will make a clicking sound once the beam is secure and prevent it from dislodging. Full fillet welds add to the beam's strength and durability. Safety orange beams allow lift truck drivers easy recognition of the beam level at high elevations. Safety orange color aids in safe loading and unloading of racks.

heavy-duty step beam without holes

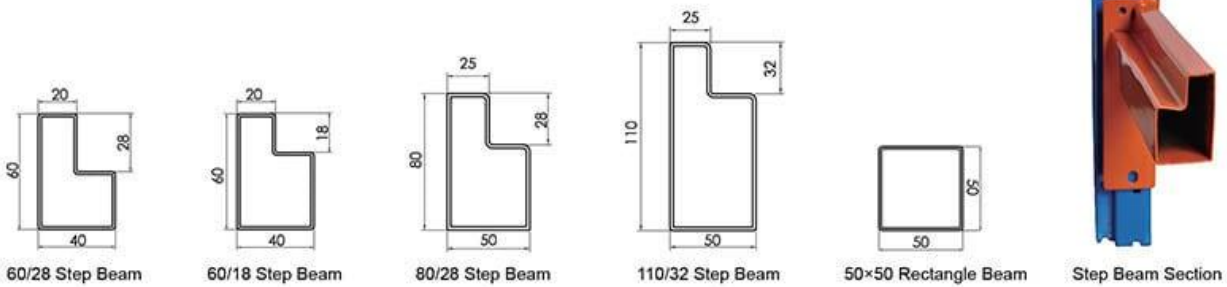


heavy-duty step beam with holes



| No. | H | | t | |
|-----|----------|-----|-----------|---------|
| | " | mm | Ga | mm |
| 1 | 3-5/16" | 84 | 14Ga/16Ga | 1.9/1.5 |
| 2 | 3-21/32" | 93 | 14Ga/16Ga | 1.9/1.5 |
| 3 | 4-1/32" | 102 | 14Ga/16Ga | 1.9/1.5 |
| 4 | 4-3/4" | 121 | 14Ga/16Ga | 1.9/1.5 |
| 5 | 5-1/8" | 130 | 14Ga/16Ga | 1.9/1.5 |
| 6 | 6" | 152 | 14Ga | 1.9 |

Step & RHS Beam

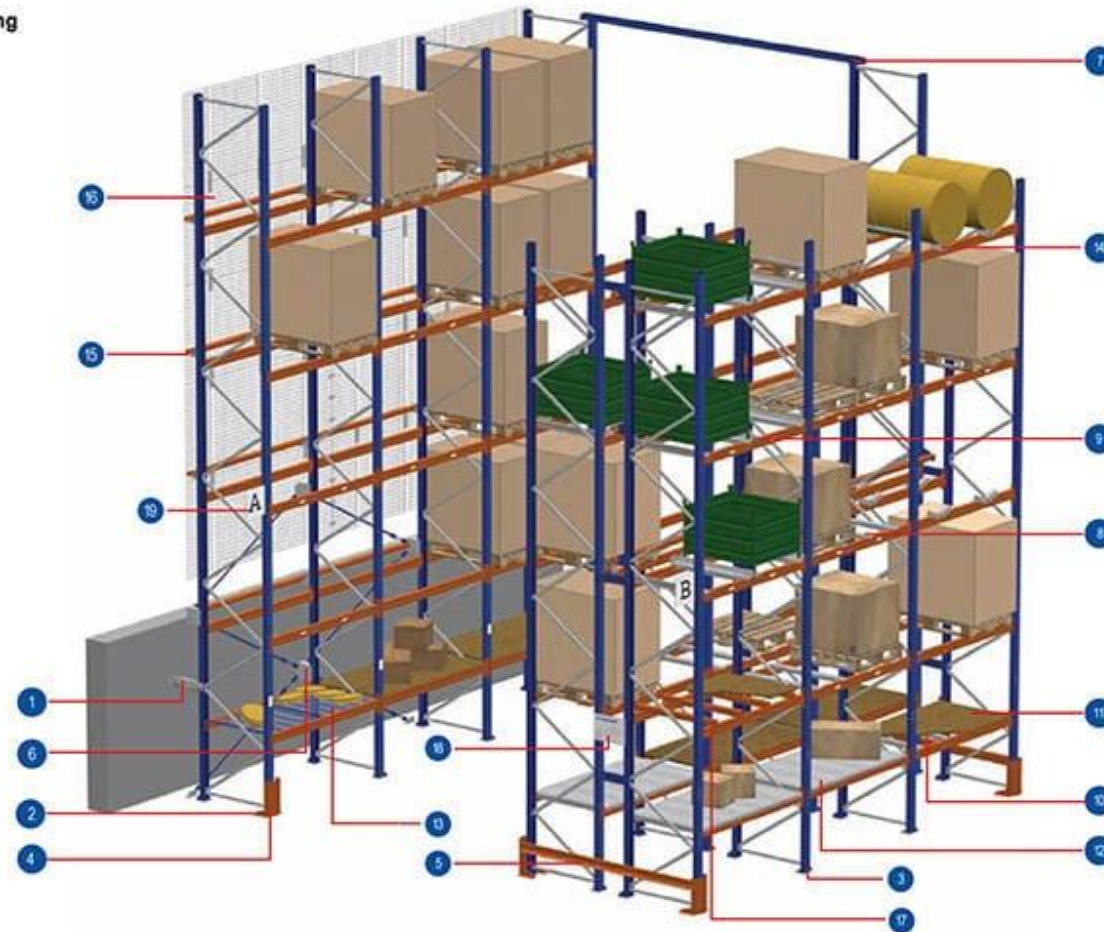


| Type of beam | Height | Width | Thickness | Rivets | All units in mm |
|---------------|--------|-------|-------------|--------|-----------------|
| TDP P 60 - 15 | 60 | 40 | 1.5 | 3 | |
| TDP P 60 - 20 | 60 | 40 | 2.0 | 3 | |
| TDP P 80 - 15 | 80 | 50 | 1.5 | 3 | |
| TDP P 80 - 20 | 80 | 50 | 2.0 | 3 | |
| TDP P 110- 20 | 110 | 50 | 2.0 | 4 | |
| TDP P 110- 25 | 110 | 50 | 2.5 | 4 | |
| TDP P 110- 30 | 110 | 50 | 3.0 | 4 | |
| TDP R 50 | 50 | 50 | 1.5/2.0/3.0 | 3 | |

In order to store palletised products, Maxrac, with its wide experience as a racking manufacturer, has developed an extensive range of accessories which enable the most demanding of storage needs to be met.

Basic components of conventional pallet racking

- 1) Wall tie
- 2) Floor anchor bolts
- 3) Levelling shims
- 4) Upright protector
- 5) Bump protector
- 6) Spine bracing
- 7) Top tie
- 8) Pallet support bar
- 9) Stillage container support bar
- 10) Shelf Support Bar
- 11) Chipboard or melamine shelf
- 12) Metal shelf
- 13) Wiremesh decking
- 14) Coil support bar
- 15) Pallet stop bar
- 16) Anti-collapse mesh guarding
- 17) Fork entry bar
- 18) Safety sign & Maintenance sign
- 19) Aisle identification plate





Speed up your logistics

SHANGHAI MAXRAC STORAGE EQUIPMENT ENGINEERING CO.,LTD

ADD: 1204, Yong Ye Mansion, No. 2240 South Pudong Road,
Pudong New District, Shanghai, P.R. China 200127

Tel: +86-21-51876818 Fax: +86-21-51876819

E-mail: sales@maxrac.com

www.maxrac.com

